



# BRACKET

LAP2076

2009 Dodge Ram Pick up 1500/2500/3500 Quad Cab& Crew Cab

LAP2076

*Thank you for purchasing one of the many quality items manufactured by Top Industries, Inc. We take the utmost pride in our products and want you to enjoy years of satisfaction from your investment.*

This product has been designed and engineered to correctly fit and complement only the vehicle(s) listed in the heading.

For easiest installation and the best final appearance, read the complete instruction BEFORE you begin.

*Gracias por comprar uno de los muchos artículos de calidad fabricados por. Top Industries, Inc. Nuestros productos nos enorgullecen en gran manera y deseamos que usted disfrute de años de satisfacción en su inversión.*

Este producto se ha diseñado y desarrollado técnicamente para adaptarse correctamente solo al(los) vehículo(s) indicado(s) en el encabezado y complementarlo(s).

Para facilitar la instalacion y obtener el mejor aspecto final, lea todas las instrucciones ANTES de comenzar.

*Nous vous remercions d'avoir achete un des nombreux articles de qualite fabriques par Top Industries, Inc. Nous sommes extremement fiers de nos produits et nous voulons que vous soyez satisfaits pendant des annees de votre investissement.*

Ce produit a ete concu et mis au point afin qu'il s'ajuste correctement et s'agence uniquement au(x) vehicule(s) enumere(s) dans l'en-tete.

Pour faciliter l'installation et obtenir la meilleure apparence finale possible, lire les directives au complet AVANT de commencer.

Please follow all instructions for the proper installation of this part to the vehicle.  
Para instalar conectamente esta pieza al vehiculo, por favor siga todas las instrucciones.  
Veuillez suivre toutes les directives afin de bien installer cette piece sur le vehicule.

## INSTALLATION KIT INCLUDES EL JUEGO DE INSTALACION INCLUYE LA TROUSSE D'INSTALLATION COMPREND

2076-41(3PCS) 2076-42(3PCS) 2076-43(6PCS) 2076-44(6PCS)



DF/PM/PR  
Brackets



PF/DM/DR  
Brackets



3/8" Bolt plate long



3/8" Bolt plate short



(6PCS)  
3/8"x1" Bolts



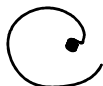
(18PCS)  
3/8" Flat Washer



(18PCS)  
3/8" Lock Washer



(12pcs)  
3/8" Hex nut



(1PCS)  
3/8" Bolt guide



(12PCS)  
Vinyl gasket



(12PCS)  
5/16"x3/4"  
Square Bolts



(12PCS)  
ø8.5mm Washers

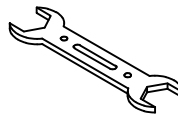


(12PCS)  
5/16" Nuts

## TOOLS NEEDED FOR INSTALLATION HERRAMIENTAS NECESARIAS PARA LA INSTALACION OUTILS REQUIS POUR L'INSTALLATION



Socket Set  
Juego de llaves de cubo  
Jeu de douilles



5/16" Standard Wrench Set,  
Jeu de cles standard

CONTINUED ON REVERSE

S2076

1/3

# BRACKET INSTALLATION

LAP2076

On rocker panel, locate the set of 3 holes covered in tape and remove tape.

Use the bolt guide (wire) to pull the small bolt plate through the large hole and place it on the right lower hole.

Then place a vinyl gasket on it. This method keeps it from falling back into rocker. Apply this method to all six small bolt plates.

Place a vinyl gasket on large bolt plate and insert through large hole. Place threaded hole of plate on lower left hole.

\* Place bracket and attach with: (All brackets are marked accordingly)

A: 3/8" hex nuts, flat and lock washers on top and lower bolts.

B: 3/8\*1" hex head bolt with flat and lock washer.

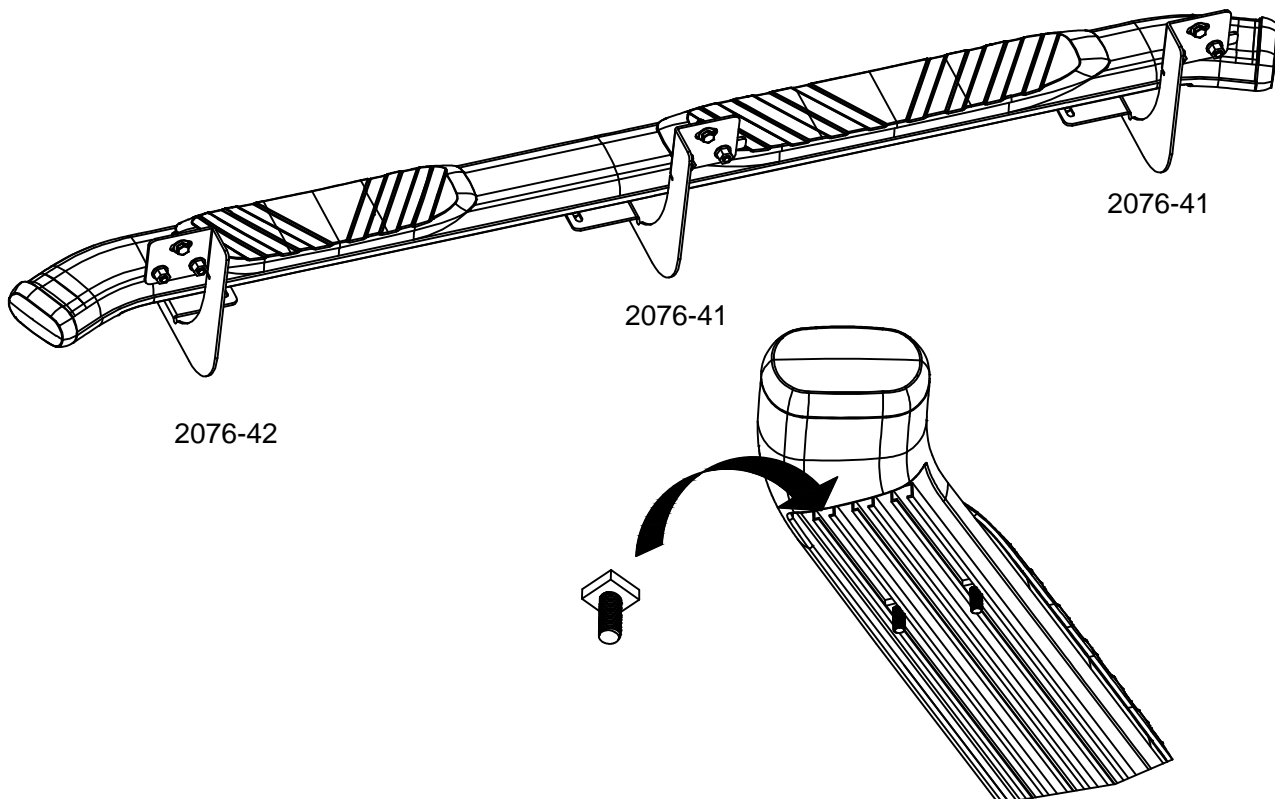
Leave loose at this point.

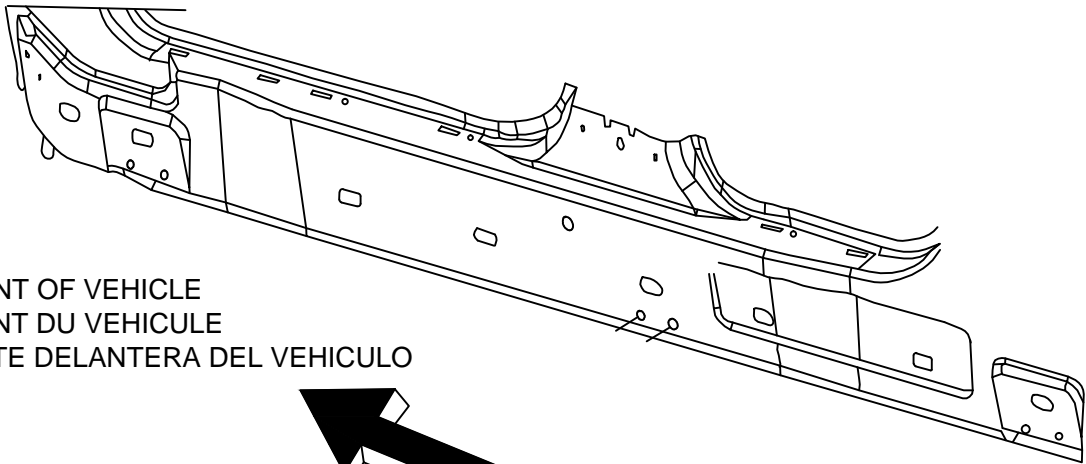
Put square head bolts on lower channel of sidebars.

Align on holes of brackets and use flange nuts to hole.

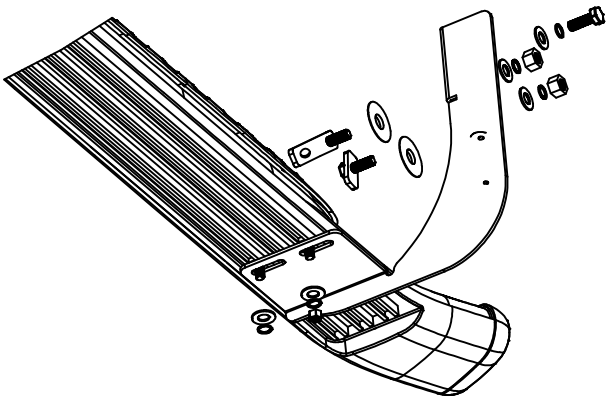
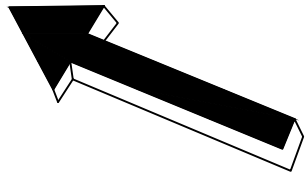
Leave loose

Align sidebars to preference and tighten all bolts and nuts.

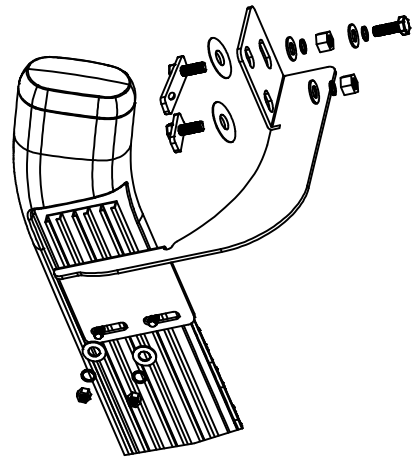




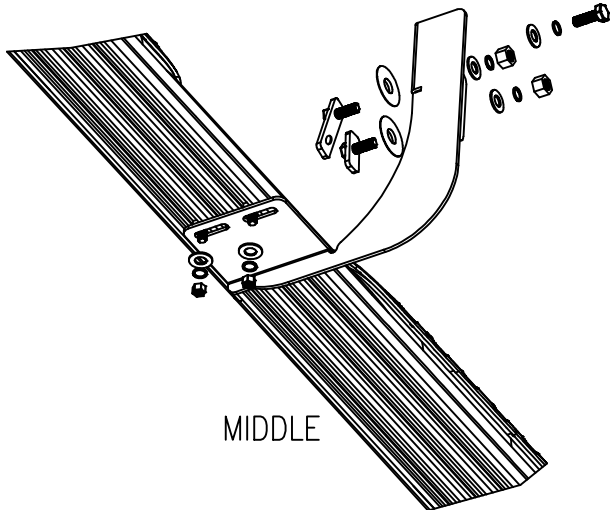
FRONT OF VEHICLE  
AVANT DU VEHICULE  
PARTE DELANTERA DEL VEHICULO



FRONT



REAR



MIDDLE